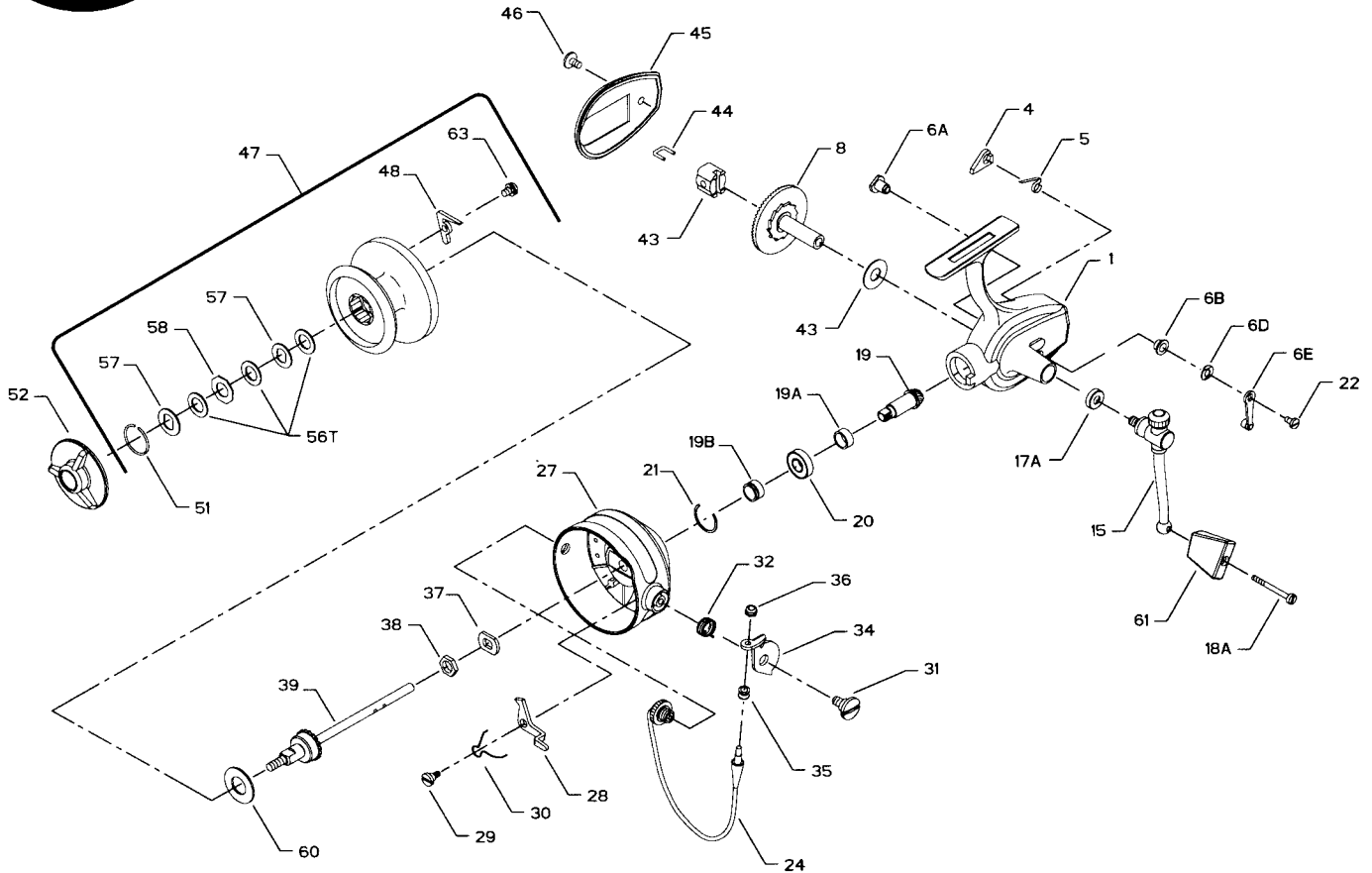




PARTS AND PRICE LIST FOR MODELS 720Z AND 722Z



Key No.	Part No.	Description	Price	Key No.	Part No.	Description	Price
1	1-720Z	Housing w/Bushing	\$9.75	28	28-720	Bail Release Arm	\$2.35
	1-722Z	Housing w/Bushing	10.30	29	29-720	Bail Release Screw	.80
4	4-720	Dog	.80	30	30-720	Bail Release Spring	.45
5	5-720	Dog Spring	.40	31	31-710	Bail Screw	1.00
6A	6A-720	Eccentric	1.10	32	32-720	Bail Spring	.90
6B	6B-720Z	Eccentric Liner	.40	34	34-720	Bail Arm	1.70
6D	6D-720	Eccentric Spring	.40	35	35-720	Line Roller	2.25
6E	6E-710	Eccentric Lever	.80	36	36-700	Bail Lock Nut	.80
8	8-720	Main Gear w/Ratchet	7.65	37	37-720	Rotor Cup Washer	.45
	8-722	Main Gear w/Ratchet	8.00	38	38-720	Rotor Cup Nut	.50
12	12-722	Main Gear Thrust Washer	.45	39	39-720	Spool Shaft	3.70
15	15-720Z	Handle Assembly (Complete)	6.35	43	43-720	Crosswind Block	.90
	15-722Z	Handle Assembly (Complete)	6.35	44	44-720	Crosswind Connector	.40
17A	17A-720	Handle Cover Washer	.45	45	45-720Z	Housing Plate	1.90
18A	18A-720Z	Handle Screw	.90		45-722Z	Housing Plate	1.90
19	19-720	Pinion Gear	4.70	46	46-720	Housing Plate Screw	.50
	19-722	Pinion Gear	5.00	47	47-720Z	Spool (Complete)	10.50
19A	19A-722	Gear End Spacer (722Z only)	.50		47-722Z	Spool (Complete)	10.50
19B	19B-722	Rotor End Spacer (722Z only)	.40	48	48-720	Click Tongue	.45
20	20-720	Pinion Bearing	1.40	51	51-710	Retaining Spring	.40
	20-722	Pinion Bearing	12.95	52	52-720Z	Drag Knob	2.65
20A	*20A-720	Pinion Thrust Washer (722Z only)	.50	56T	56-710	Drag Washer (Teflon®)	.70
21	21-722	Bearing Retainer (722Z only)	.50	57	57-720	Metal Slot Washer	.45
22	22-109	Eccentric Screw	.50	58	58-720	Metal Washer (Octagon)	.50
24	24-720	Bail Wire	5.05	60	60-712	Rear Drag Washer	.45
27	27-720Z	Rotor Cup	6.95	61	61-720Z	Handle Knob	.90
	27-722Z	Rotor Cup	6.95	63	63-349	Click Screw	.45

*Not Shown

Prices and specifications subject to change without notice.